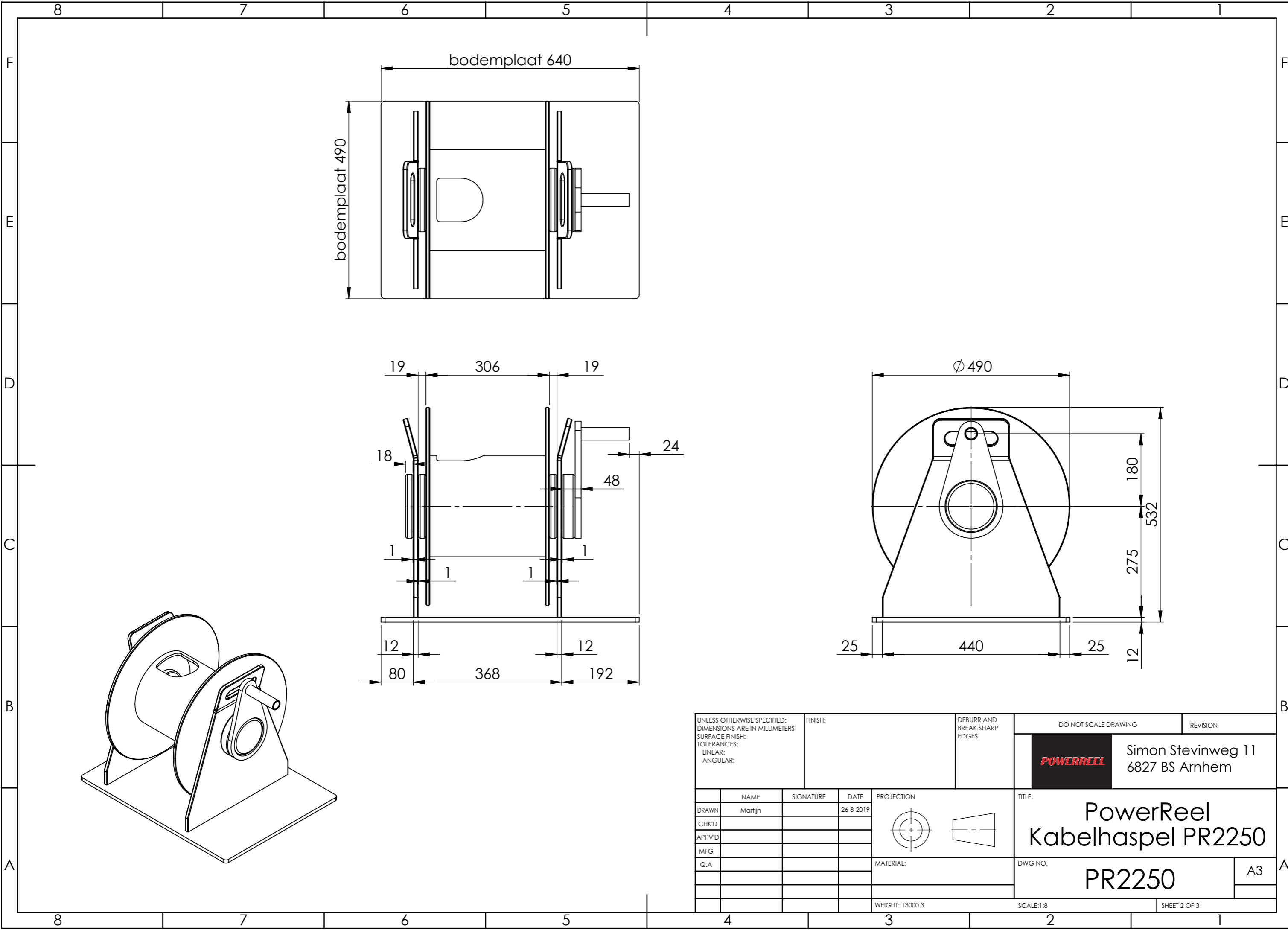

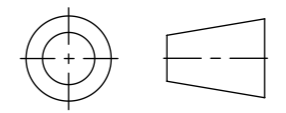
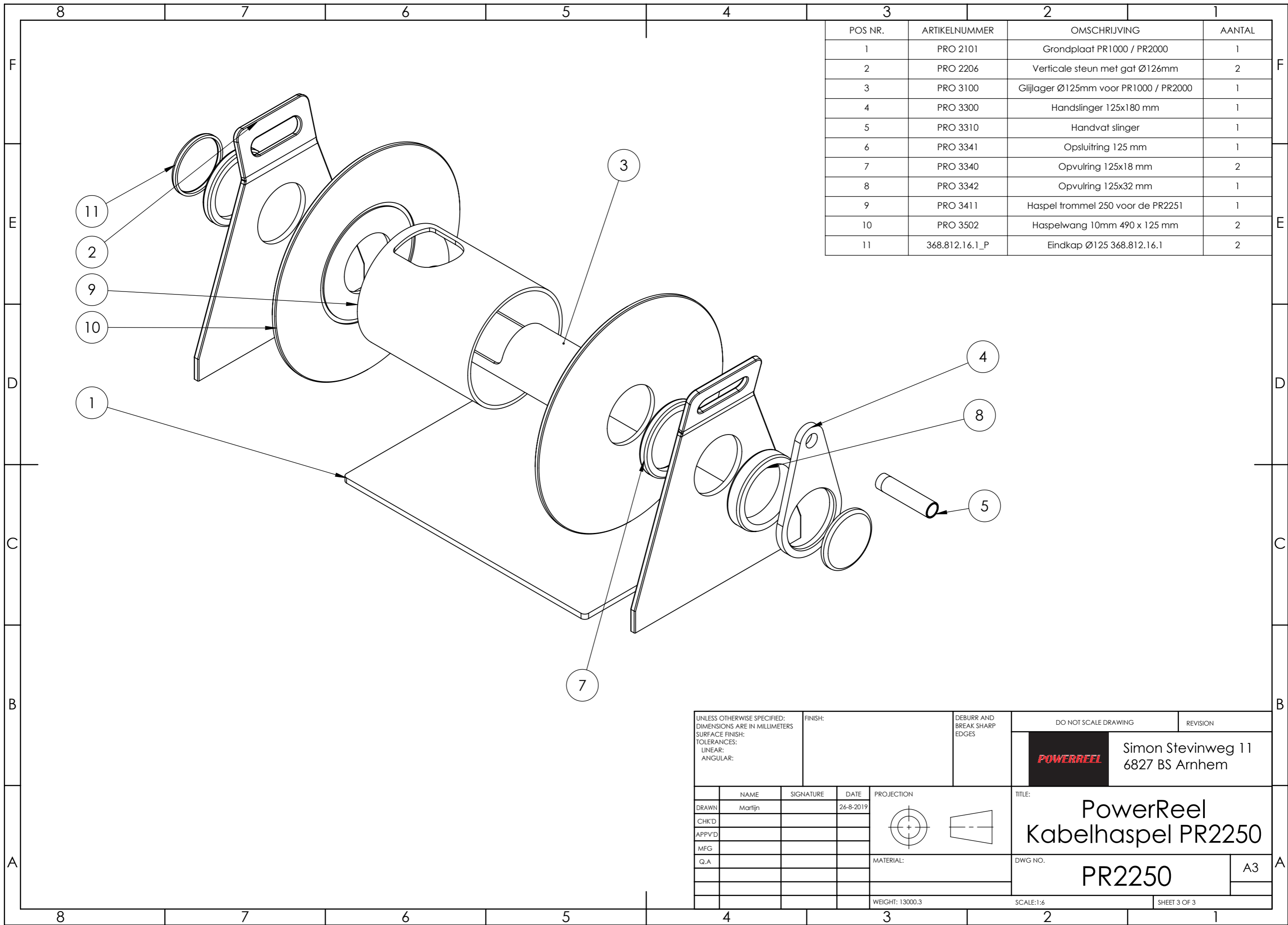


UNLESS OTHERWISE SPECIFIED: DIMENSIONS ARE IN MILLIMETERS SURFACE FINISH: TOLERANCES: LINEAR: ANGULAR:			FINISH:		DEBURR AND BREAK SHARP EDGES		DO NOT SCALE DRAWING		REVISION	
							POWERREEL		Simon Stevinweg 11 6827 BS Arnhem	
	NAME	SIGNATURE	DATE	PROJECTION		TITLE:				
DRAWN	Martijn		26-8-2019			PowerReel Kabelhaspel PR2250				
CHK'D										
APPV'D										
MFG										
Q.A				MATERIAL:		DWG NO.				A3
						PR2250				
				WEIGHT: 13000.3		SCALE:1:4				SHEET 1 OF 3



UNLESS OTHERWISE SPECIFIED: DIMENSIONS ARE IN MILLIMETERS SURFACE FINISH: TOLERANCES: LINEAR: ANGULAR:			FINISH:		DEBURR AND BREAK SHARP EDGES		DO NOT SCALE DRAWING		REVISION	
									Simon Stevinweg 11 6827 BS Arnhem	
							TITLE:		PowerReel Kabelhaspel PR2250	
DRAWN			NAME		SIGNATURE		DATE		DWG NO.	
CHK'D			Martijn				26-8-2019		PR2250	
APPV'D									A3	
MFG										
Q.A										
							MATERIAL:			
							WEIGHT: 13000.3		SCALE: 1:8	
									SHEET 2 OF 3	



POS NR.	ARTIKELNUMMER	OMSCHRIJVING	AANTAL
1	PRO 2101	Grondplaat PR1000 / PR2000	1
2	PRO 2206	Verticale steun met gat Ø126mm	2
3	PRO 3100	Glijlager Ø125mm voor PR1000 / PR2000	1
4	PRO 3300	Handslinger 125x180 mm	1
5	PRO 3310	Handvat slinger	1
6	PRO 3341	Opsluitring 125 mm	1
7	PRO 3340	Opvulring 125x18 mm	2
8	PRO 3342	Opvulring 125x32 mm	1
9	PRO 3411	Haspel trommel 250 voor de PR2251	1
10	PRO 3502	Haspelwang 10mm 490 x 125 mm	2
11	368.812.16.1_P	Eindkap Ø125 368.812.16.1	2

UNLESS OTHERWISE SPECIFIED: DIMENSIONS ARE IN MILLIMETERS SURFACE FINISH: TOLERANCES: LINEAR: ANGULAR:			FINISH:		DEBURR AND BREAK SHARP EDGES		DO NOT SCALE DRAWING		REVISION	
							POWERREEL		Simon Stevinweg 11 6827 BS Arnhem	
							TITLE:		PowerReel Kabelhaspel PR2250	
							DWG NO.:		PR2250	
							SCALE:1:6		SHEET 3 OF 3	

	NAME	SIGNATURE	DATE	PROJECTION
DRAWN	Martijn		26-8-2019	
CHK'D				
APPV'D				
MFG				
Q.A				

WEIGHT: 13000.3

A3